



OPTIMER 0946



OPTIMER 1036
OPTIMER 1046



OPTIMER 1336
OPTIMER 1346



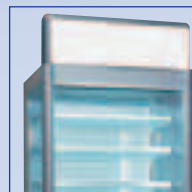
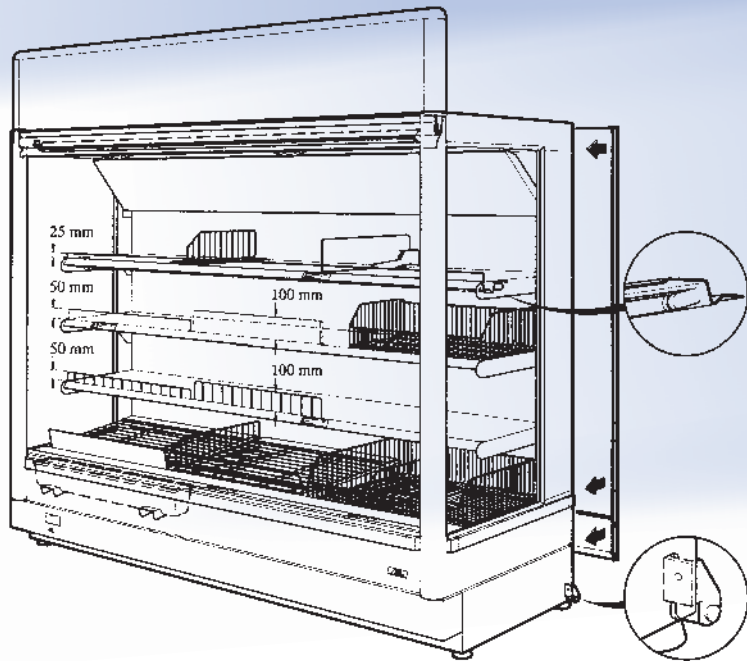
OPTIMER 1936
OPTIMER 1946



OPTIMER 2536
OPTIMER 2546



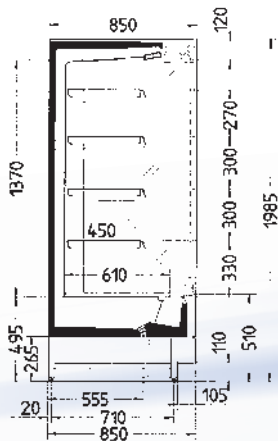
For all applications



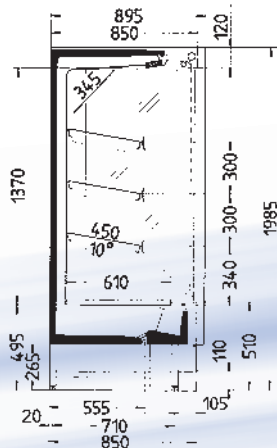
Optional endwalls (panorama glazed endwall with and without vertical lighting, part-glazed endwall (standard), solid, internally mirrored endwall)



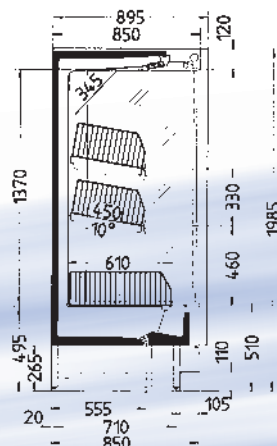
Examples of different applications:



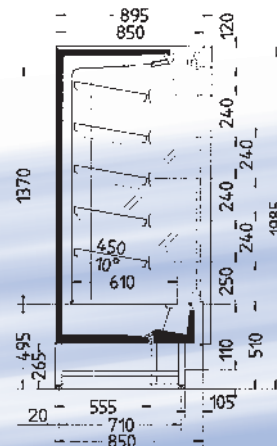
Standard cabinet with part-glazed end walls



Sandwiches



Fruits and vegetables



Self-service meat

OPTIMER Technical Data

Model	Temperature range (°C)	Volume (ltr.)	Net weight (kg)	Dimensions (mm)			Capacity (pcs)		Crated dimensions (mm)			Crated weight (kg)	Transport		Application		
				width	depth	height	0,33 l can	0,5 L Pet bottle	width	depth	height		Truck (13,6)	40'cont.			
0946	0...+2	535	200	885	910	1985	n/a	n/a	1120	1110	2170	235	24	20			
1046		610	230	990			n/a	n/a				252					
1036	+2...+8	672	364	245													
1346	0...+2	785	275	1250			n/a	n/a	1380			1110	2170	295	19	16	
1336	+2...+8			952			476	295									
1946	0...+2	1205	368	1875			n/a	n/a	2000			1110	2170	405	13	12	
1936	+2...+8			1456			728	405									
2546	0...+2	1620	496	2500			n/a	n/a	2630			1110	2170	533	10	8	
2536	+2...+8			2248			1267	520									

Multidecks