

# *Attracting attention*

for guaranteed success

MIRADO and MOREA Semi-verticals



*Linde*

# *Ideal presentation*

for best possible sales

## Popular sites: our semi-verticals

In the centre of the market where the action is. We have developed cabinets that put your merchandise in the centre of action to help you achieve your highest sales goals. Mirado and Morea semi-verticals create a centre of attraction for customers in the middle of your market where they can linger and are encouraged to reach for products. Premium merchandise and convenience products are impressively displayed in the Mirado and Morea. Customers will be fascinated. Plenty of usable inside space sets an impressive stage for presenting goods and at the same time provides a first-rate view of the merchandise. Increase sales by showing your products to their best advantage.

### Benefits for your business

- ▶ Real eye-catcher
- ▶ Full overview of the merchandise and at the same time an unobstructed view of your market.
- ▶ Attractive merchandise display
- ▶ High sales





# Meeting Point for Freshness

the market centre



*Attractive*  
Mirado round gondolas

The middle of your market,  
a magnet for customers.

## In the best mood for shopping

Offer your customers the atmosphere of a weekly market in Tuscany in the middle of your market on a normal shopping day at that. Regardless if you decide in favour of a straight case, crown end cabinets, round cabinet or a combination of these modules, merchandising has never been attached with so exclusiveness.

*Right in the middle*  
Mirado 360-degree gondola



# *Elegant details ...*

focus on functionality



## *Short cabinet canopy*

The optimum light incidence provides your customers an ideal view of your assortment of products.

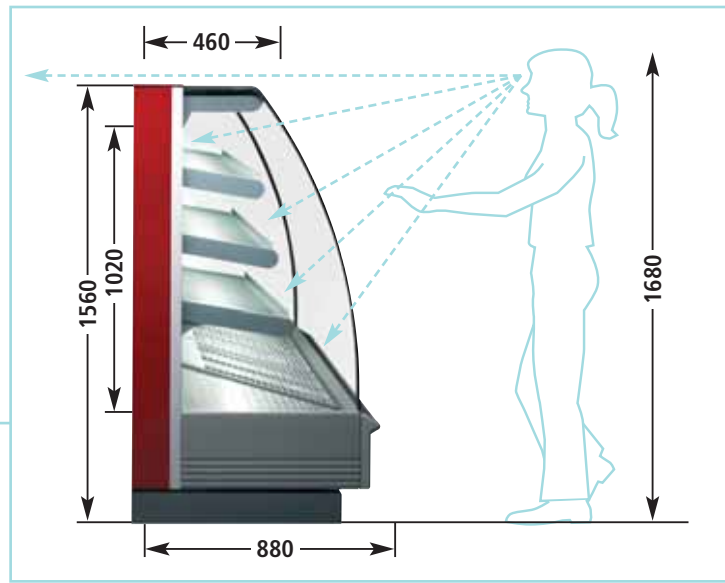


*Tight-fitting night roller blind*

The optional night roller blind can be pulled down even when the cabinet is fully stocked.

*Best view of goods and market*

The Mirado and Morea offer loads of usable and visible inside space and at the same time an unobstructed view of your market. You can of course also present merchandise on the sturdy cabinet canopies capable of supporting up to 75 kg/sq metre.



*Extra lighting*

In order to display merchandise especially attractively, canopy and display lighting are available on request.



*Spacious presentation space*

The displays are set at an ideal angle for viewing merchandise.



# *Impressions*

from the profitability angle



---

## *Invitation*

The Mirado 64 installed back to back: the perfect attention-getter.



---

## *Focus of attention*

The perfect stage for presenting your goods and keeping your market in full view.



---

## *Convenience*

A convenience to households and to the eye. Presented clearly and openly.



## *Liveliness*

Round crown end cabinets offer a very informal presentation atmosphere.



## *Combinatorial analysis*

Mirado and Morea cabinets fit in exceptionally well with all other cabinets of the Linde Evolution5 product range.



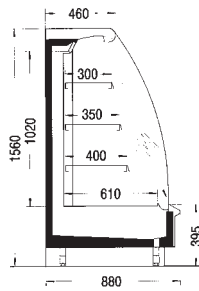
## *Attractiveness*

The low wall shelf model is also an attractive presentation option.

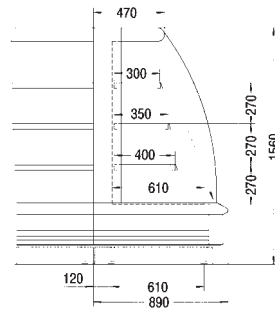
# Custom-made

for your business

## Mirado straight cases and crown end cabinets: Case height 1,560 mm / depth 880 mm

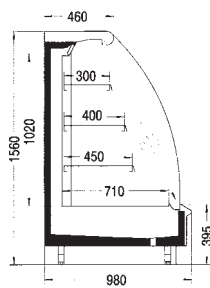


Mirado 64.A3/A4/A5

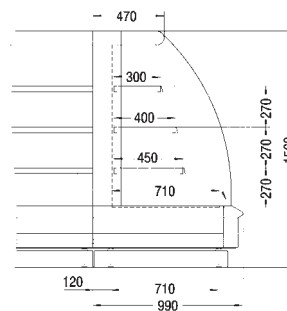


Mirado 64.CE A3/A4/A5

## Mirado straight cases and crown end cabinets: Case height 1,560 mm / depth 980 mm

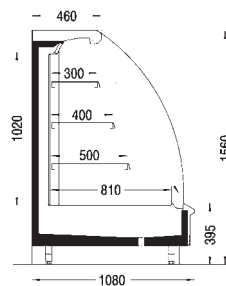


Mirado 74.A3/A4/A5

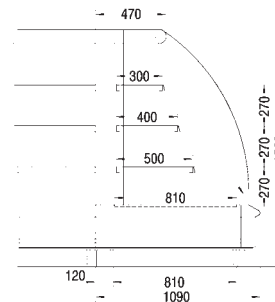


Mirado 74.CE A3/A4/A5

## Mirado straight cases and crown end cabinets: Case height 1,560 mm / depth 1,080 mm



Mirado 84.A3/A4/A5



Mirado 84.CE A3/A4/A5

Type code **Mirado 64 . CE A3**

Product line

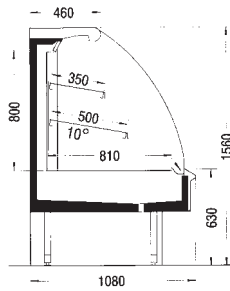
Bottom case = 60 cm

Front height = 40 cm

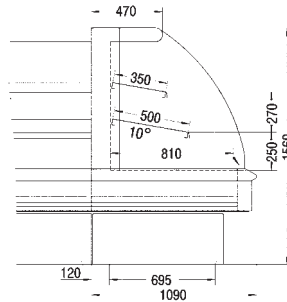
Module type = CE (crown end)

Temperature range = 3 (2/4, 4/6°C)

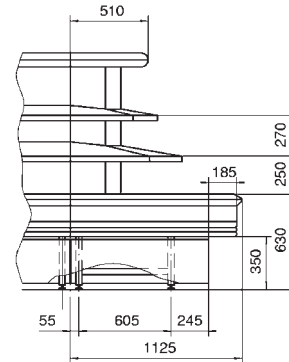
## Mirado straight cases and crown end cabinets: Case height 1,560 mm / depth 1,080 mm / high front



Mirado 86.A4/A5

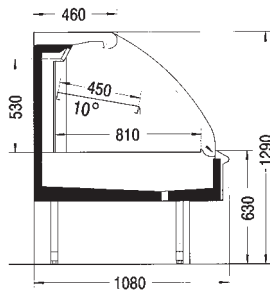


Mirado 86.CE A4/A5

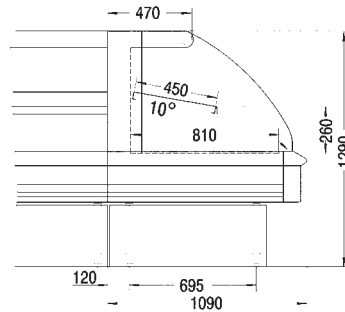


Mirado 86.CC A4

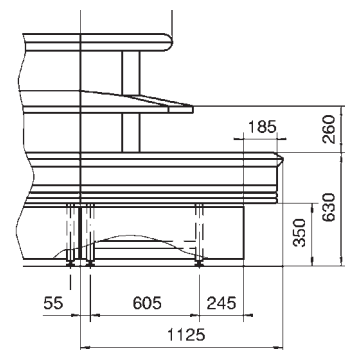
## Morea straight cases and crown end cabinets: Case height 1,290 mm / depth 1,080 mm / high front



Morea 86.A4/A5



Morea 86.CE A4/A5



Morea 86.CC A4

<i>Mirado and Morea</i>	(Modules)	125	188	250	375
Lengths including end walls (40 mm each)	(mm)	1,330	1,960	2,580	3,830
Temperature ranges	(°C)				
3		2/4 4/6	2/4 4/6	2/4 4/6	2/4 4/6
4		0/2	0/2	0/2	0/2
5		-1/1	-1/1	-1/1	-1/1
Total display area	(sq metres)				
Mirado 64		2.10	3.10	4.15	6.25
Mirado 74		2.35	3.50	4.65	7.00
Mirado 84		2.50	3.75	5.05	7.55
Mirado 86		2.10	3.10	4.15	6.25
Morea 86		1.60	2.35	3.15	4.75



**Evolution5**  
Made to trade.

## *Supply*

meeting the demand

The refrigerated cabinets we manufacture today set the standard for tomorrow. The **Evolution5** product range from Linde gives every market a dynamic and sales-oriented appearance.

The capability of being able to combine refrigerated display cabinets ensures **greatest possible flexibility** in presenting merchandise. The refrigerated display cabinet architecture enables **maximum utilisation of floor space**. Display cabinet styling that places the **focus on products - perfectly**. The colour concept can be tailored individually to all product assortments and market furnishings. **Reliable temperature control** is guaranteed. Low **energy consumption**. With numerous **fittings and accessories** to meet all of your individual needs.

Linde **Evolution5** creates ideal **shopping conditions** in every market.

*Linde*